

1

2

3

4

5

6

A

A

B

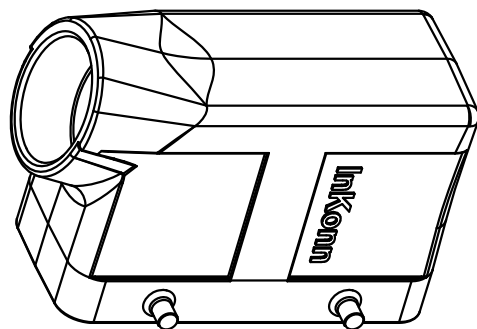
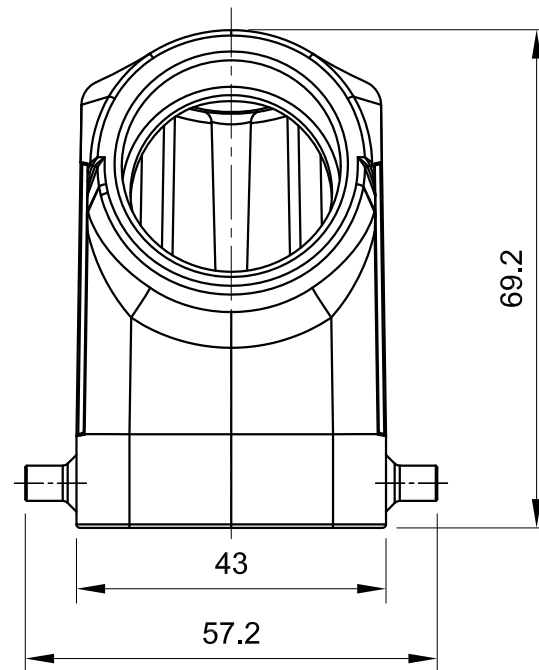
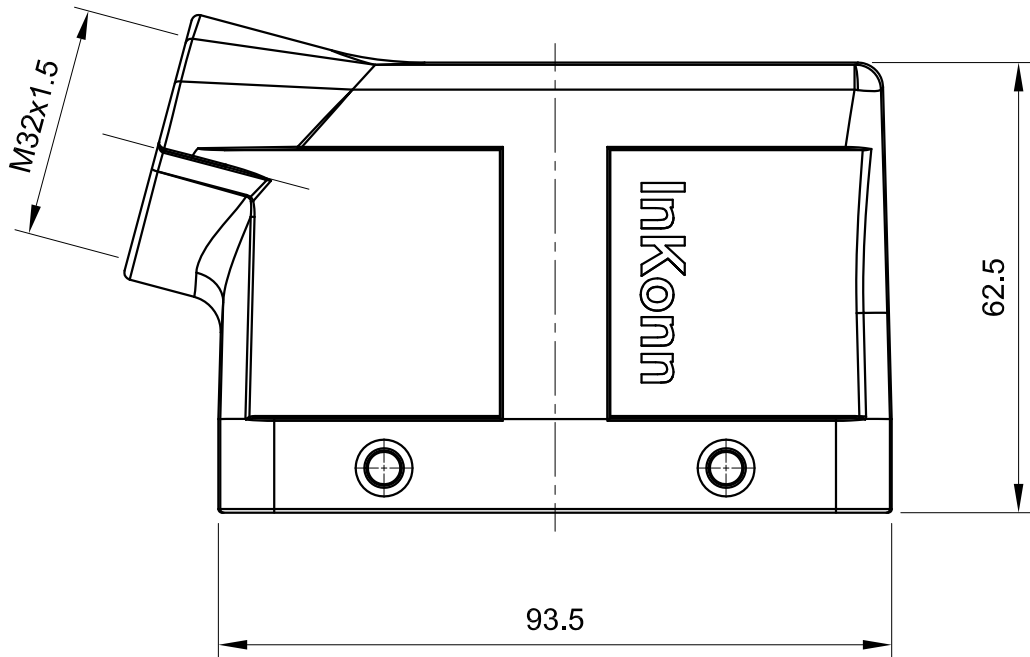
B



C

C

D

D



 All Dimensions in mm Original Size DIN A4	Date 2020-07-10	Drawing No. TC1176387	Rev. A00	Scale 1:1
	 InKonn® InKonn (Suzhou) Electric Technology Co.,Ltd.	Part No. 10 11 016 0143	Created by Shuxu Huang	Checked by Yiyi Luo
Type Name HB16-SE-QB-M32				

1

2

3

4

5

6